



WHEEL INQUIRY FORM

Please fill out all information on both sides of this sheet and fax to Billet Specialties at the number below. A Billet Specialties sales representative will contact you.

Fax To: Billet Specialties, Inc.

1 (708) 588-7181

Name: _____

Address: _____

City: _____ State _____ Zip _____

Daytime Phone: _____

Fax: _____

ATTN: _____
Billet Specialties Sales Representative

VEHICLE INFORMATION

Year _____ 2WD 4WD

Make _____

Model _____

FRONT SUSPENSION

Factory Aftermarket

Manufacturer _____

Modifications _____

Disc Drum
Brakes Factory Brakes Performance Brakes

Manufacturer _____

Template Number _____

REAR SUSPENSION

Factory Aftermarket

Manufacturer _____

Modifications _____

Disc Drum
Brakes Factory Brakes Performance Brakes

Manufacturer _____

Template Number _____

NEW WHEEL INFORMATION

Wheel Style _____

FRONT WHEELS

Size _____

Bolt Circle _____

Stud Size _____

REAR WHEELS

Size _____

Bolt Circle _____

Stud Size _____

AVAILABLE OPTIONS

- Polished Backside Of Barrel (\$50.00/wheel)
- Lug Nuts (Call for price)
- Chrome Valve Stems (\$8.95/4-pack)
- Mothers® BILLET aluminum polish 4oz. (\$13.00 ea.)



WHEEL INQUIRY FORM

Please fill out all information on both sides of this sheet and fax to Billet Specialties at the number below. A Billet Specialties sales representative will contact you.

Fax To: Billet Specialties, Inc.

1 (708) 588-7181

FRONT WHEEL SECTION

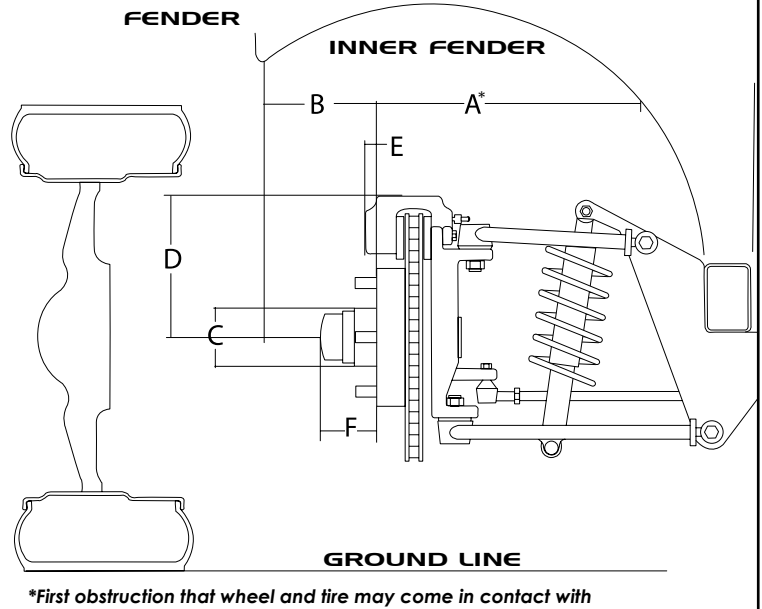
	Driver Side	Passenger Side
A Mounting surface to first obstruction frame side*	_____	_____
B Mounting surface to inside fender	_____	_____
C Hub Diameter	_____	_____
D Brake Diameter: Center to top of caliper x 2	_____	_____
E Protrusion of caliper past mounting surface	_____	_____
F Hub Length	_____	_____

Measurement "E" does not apply to vehicles with drum brakes.

Fender Height From Center Of Hub _____

Current Wheel Size _____ Backspace _____

Current Tire Size _____



REAR WHEEL SECTION

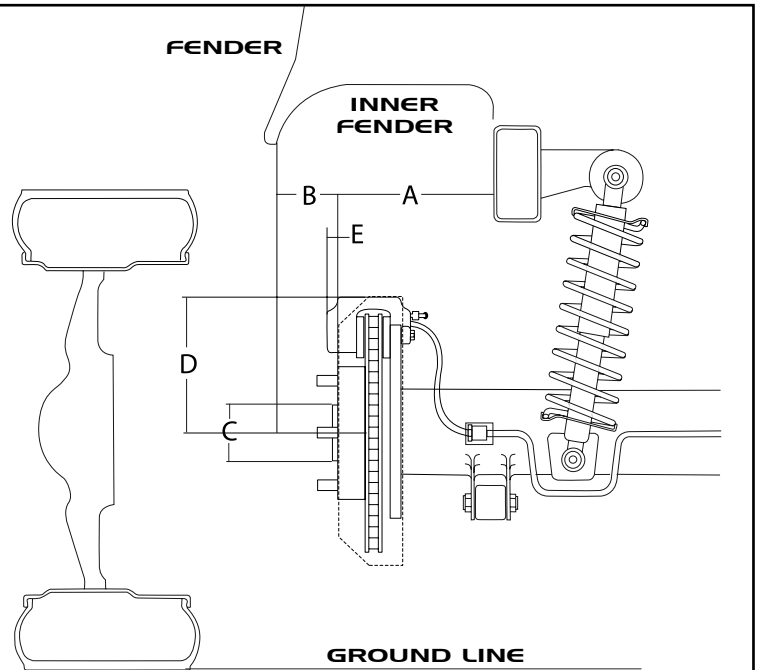
	Driver Side	Passenger Side
A Mounting surface to first obstruction frame side*	_____	_____
B Mounting surface to inside fender	_____	_____
C Hub Diameter	_____	_____
D Brake Diameter: Center to top of caliper x 2	_____	_____
E Protrusion of caliper past mounting surface	_____	_____

Measurement "E" does not apply to vehicles with drum brakes.

Fender Height From Center Of Hub _____

Current Wheel Size _____ Backspace _____

Current Tire Size _____



MEASURING TIPS:

Jack vehicle up on level ground & support vehicle with jack stands.
 Compress suspension to ride height while measuring.
 Use a rigid straight edge at least 30" long for best results.

Name _____ Phone _____ Fax _____

ORDERING PROCEDURES / TERMS & CONDITIONS

Pricing

All prices in this book are subject to change without notice. Billet Specialties is not liable for misprints. Pricing should be confirmed at the time of order.

Freight Policy

All shipments are F.O.B. La Grange, IL. All wheels are shipped via Federal Express or carrier chosen by Billet Specialties unless otherwise specified and agreed to by Billet Specialties. **Billet Specialties does not assume the responsibility for charges for next day air or 2nd day freight service under any circumstances.**

Claims

Claims for damage, shortage or manufacturing error must be made within (5) five business days from the receipt of shipment. Claims for damage as a result of carrier's negligence must be held at customer location pending disposition from carrier. Claims not made within this period will not be honored by Billet Specialties Inc. Claims for finish problems must be made prior to mounting tires.

Return Policy and Procedures

All returned merchandise must have an RGA (Return Goods Authorization) number assigned by Billet Specialties Inc. All returned items must be shipped freight prepaid. Any collect shipment or shipments without an RGA will be refused. All returns are subject to a restocking charge of up to 25% unless other arrangements have been made with Billet Specialties Inc. **Mounted wheels are not acceptable for return under any circumstance.** Custom built wheels are not returnable. It is the responsibility of both the customer and the dealer to inspect quality and fit check their wheels for correct bolt pattern, caliper clearance and/or finish problems **before** mounting tires.

Ordering Procedure

All orders must be mailed or faxed to Billet Specialties (708) 588-7181 with a purchase order and the name of the person placing the order. A Billet Specialties representative will sign and confirm the order via return fax. If you do not receive confirmation of your order, **do not re-fax the order**; contact Billet Specialties (708) 588-0505 by phone. All orders must include year, make, and model of the vehicle, wheel size and backspacing, bolt circle, and wheel style desired. Any modifications, especially brakes, spindles, or suspension made to the vehicle must be considered for the fitment before ordering wheels and must be noted on the order. Vehicle measuring forms can be downloaded from www.billetpecialties.com or faxed upon request. Billet Specialties is not responsible for fitments or measurements supplied by the customer. Billet Specialties may require a non-refundable 50% down payment on orders for non-recommended fitments or one of a kind vehicle applications.

Cancelled Orders

All cancellations must be faxed to Billet Specialties Inc. including original purchase order number and signed by your company representative. Any orders over 48 hours old or processed through machining operations cannot be cancelled without a 25% restocking charge. Cancellation of prepaid orders will result in forfeiture of all deposits.

Warranty

All Billet Specialties wheels purchased on or after 02/21/2000 are warranted to the original owner for three (3) years from date of purchase for defects in material and/or workmanship under normal and intended use. All Billet Specialties wheels purchased prior to 02/21/2000 carry the one (1) year warranty stated in the Billet Specialties Wheels 1999 Jobber Sheet. Billet Specialties agrees to repair or replace Billet Specialties brand wheels, at the sole discretion of Billet Specialties Inc. Billet Specialties is not responsible for finish problems due to neglect by the customer. Wheels that have been determined to have been damaged by a tire-mounting machine will be repaired at the customer's expense. Transfer of title of any Billet Specialties products by the original owner voids the warranty. Billet Specialties is not responsible for damage to vehicle or labor costs incurred as a result of failure of warranted items. Billet Specialties warranty is limited to the purchase price of the product. Product will only be inspected for warranty by Billet Specialties, Inc. **Any wheel returned for warranty inspection must be accompanied by a copy of your receipt. **Warranty claims will not be approved until Billet Specialties, Inc. inspects the product.****

Do not mount tires with a sidewall height of more than 8" on a Billet Specialties wheel. Billet Specialties considers this application unsafe on a two-piece wheel. Warranty is void on wheels when the recommended tire size is exceeded.

IMPORTANT

All defect returns will be reviewed by quality control personnel and any defects or damage not found to be the responsibility of Billet Specialties Inc. will be rejected and returned to the sender at their expense.

Defects in finish will not be warranted if:

- A: Damage occurred during the mounting
- B: Damage to finish is due to improper care, use of caustic materials for cleaning or neglect
- C: The wheel was sold as a "second" or "blemished" product
- D: The wheel was sold for display purpose
- E: A tire with a sidewall height of more than 8" was mounted to the wheel

WARNING

For ABS Equipped Vehicles
Always ensure that the size for replacement wheel and tire combinations is within +2% or -3% of the original tire diameter for your vehicle. If it is larger or smaller, you may have to modify the anti-lock brake system (ABS) computer or brake failure may occur.

NOTE

Most low profile tires do not offer the same sidewall protection as standard profile tires that may have been original equipment on your vehicle. Low profile tires can increase cornering and stability but can also decrease ride quality and rim protection. The chance of damage to the rim from road hazards will increase with the use of low profile tires.



WHEEL ORDER FORM

DATE: _____

P.O. # _____ Ordered By _____

BILL TO:

Name _____

Attn: _____

Address _____

City _____

State, Zip _____

Phone _____

Fax _____

SHIP TO:

Name _____

Attn: _____

Address _____

City _____

State, Zip _____

Phone _____

Fax _____

WHEEL INFORMATION

QTY.	STYLE	SIZE	BACKSPACE	BOLT CIRCLE	PRICE (Ea.)

VEHICLE INFORMATION

Year _____ 2WD

Make _____ 4WD

Model _____ Caliper Clearance _____

Suspension / Brake Modifications

Aftermarket brakes and suspension require careful measurement, see page 34-35

WHEEL ACCESSORIES

QTY.	Description	Price
Total _____		

* All wheel orders must be faxed to Billet Specialties, a confirmation will be faxed back within 24 hours.

*** If you do not receive a order confirmation call immediately, 708/ 588-0505. DO NOT re-fax order.**

* All drop ship orders require a signature for proof of delivery. No Exceptions.

* This order can not be cancelled after 48 hours of being placed.

* This order can not be returned under any circumstances after tires have been mounted. It is the responsibility of the dealer and the customer to inspect and fit check special order wheels prior to mounting tires.

We suggest that all special orders require a non-refundable down payment by the dealer.

* Vehicle measuring forms can be downloaded from billetspecialties.com or faxed upon request.

I have read and agree to the Terms & Conditions on page 39 of the 2006 Billet Specialties Jobber Price Schedule. _____ INITIAL HERE

Purchasing Agent Signature _____